



Comtrend Product Introduction

NBD REPORT

H2 2019

CONTENTS

G.PON Product Roadmap

- GRG 4242f – 2.5GPON ONT w/RF Over-lay
- GRG 4262u – 2.5GPON 2x2 11n + 2x2 11ac IAD
- GRG 4269u – 2.5GPON 2x2 11n + 3x3 11ac IAD
- GRG 4266u – 2.5GPON 2x2 11n + 4x4 11ac IAD
- GRG 4266uf – 2.5GPON 2x2 11n + 4x4 11ac w/RF Over-lay
- GRG 4267u – 2.5GPON 3x3 11n + 4x4 11ac IAD
- GRG4101 – 10G EPON ONU

GPON PRODUCT ROAD MAP

2019 H2

GPON ONT

+ RF

GRG4242f trueonline

- BCM68488
- 2.5G GPON
- RF Over-lay



GRG4266uf trueonline

HARMONY

2.5 GPON

+ RF

- BCM68461
- Wi-Fi BCM43217 2x2 11n, Wi-Fi
- BCM4366E 4x4 11ac.
- RF-Overlay X 1 for CATV



GRG4262u

HARMONY

2.5 GPON

- BCM68461
- Wi-Fi BCM43217 2x2 11n (2T2R)
- + BCM4352E2x2 11ac (2T2R)
- RJ-45 x 4, RJ-11 x 1, USB x 1



GRG4269u

HARMONY

- BCM 68461
- Wi-Fi BCM43217, 2.4G (2T2R)
- + BCM43602, 5G (3T3R)
- RJ-45 x 4, RJ-11 x 2, USB x 1



GRG4266u

HARMONY

- BCM68461
- Wi-Fi BCM43217, 2.4G (2T2R)+
- BCM4366E (4T4R) 5G
- RJ-45 x 4, RJ-11 x 2, USB x 1



GRG4268u

NET

- BCM68461
- Wi-Fi BCM43602, 2.4GHz (3T3R)
- + BCM4366E, 5GHz (4T4R)
- RJ-45 x 4, RJ-11 x 1, USB x 1



Sample Available on 2019 H2

GRG-4101

COMCAST

HARMONY

10 GPON

- BCM68580+AQ107
- 1x 10G EPON
- 1 x 10GE LAN



GRG4242f – GPON ONT w/RF Over-lay

GPON ONT

HARDWARE & INTERFACE

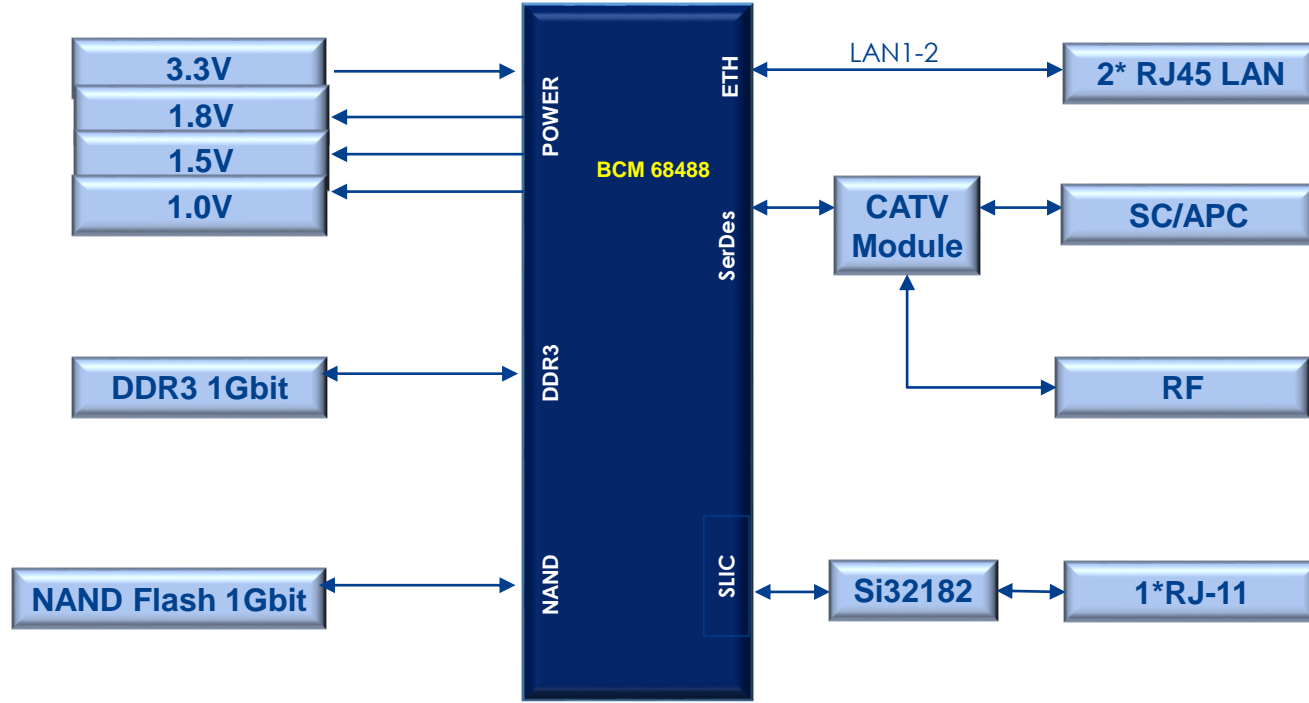
- BCM68488
- Parallel NAND Flash 128MByte
- DDR3 RAM 128MByte
- 1x GPON
- 2 x GE LANs
- 1x FXS Ports
- 1x RF overlay (Triplexer)



KEY FEATURES

- Broadcom based entry level ONT design with RF interface
- Compliant with ITU-T G.984 standards
- Data rate
 - Downstream: up to 2.4Gbps
 - Upstream: up to 1.2Gbps
 - Down wavelength: 1490 nm
 - Up wavelength: 1310 nm
 - Maximum transmission distance: 20 Km
- OLT interoperable with Huawei, ZTE, Gcom, Raisecom
- TR-069 enabled

GRG 4242f Block Diagram



GRG 4262 – 2.5GPON 2x2 11n + 2 x 2 11ac IAD

2.5G GPON COMMON PLATFORM

HW & Interfaces

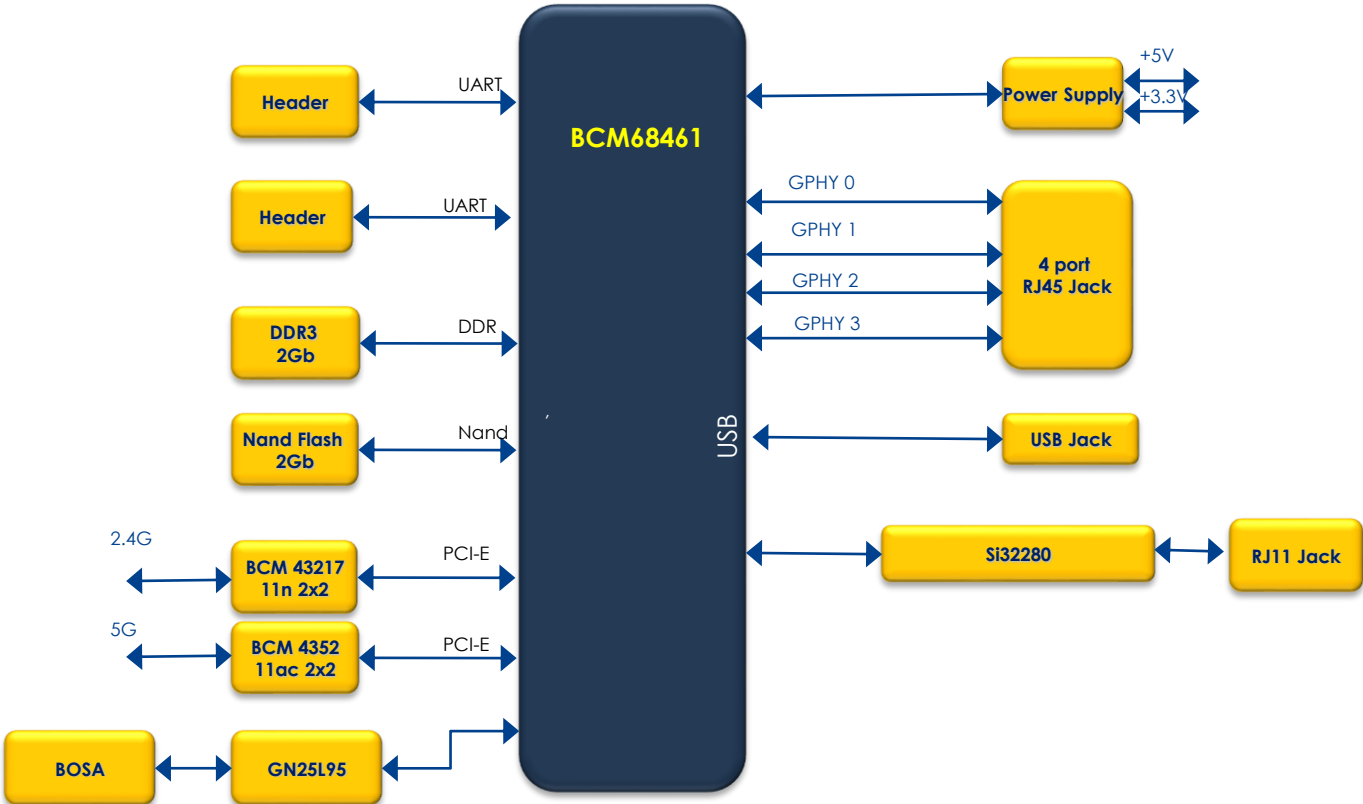
- Main chip BCM68461, 2.4G WiFi BCM43217 2x2, 5G WiFi BCM4352 2x2.
- 128MB Flash. 256MB DDR
- RJ-45 X 4 for LAN, (10/100/1000 Base T)
- RJ-11 X 1 for FXS
- USB 2.0 host X 1
- WPS /Wi-Fi On/Off button X 2 (1 button per radio)
- Power switch X 1 & Reset Button X 1

KEY FEATURES

- BCM68461+ BCM4352 (11ac), BCM43217(11n) / Flash 1GBit/ DDR3 2GBit
- BCM 68361 Advanced dual-core ARM Cortex A7 CPU
- 2.5G PON HGU to improve the Wi-Fi performance vs. BCM 68380 (MIPS base)
- Cost-effective middle-end GPON IAD solution



GRG 4262 BLOCK DIAGRAM



GRG 4269u – 2.5GPON 2x2 11n + 3 x 3 11ac IAD

2.5G GPON COMMON PLATFORM

HW & Interfaces

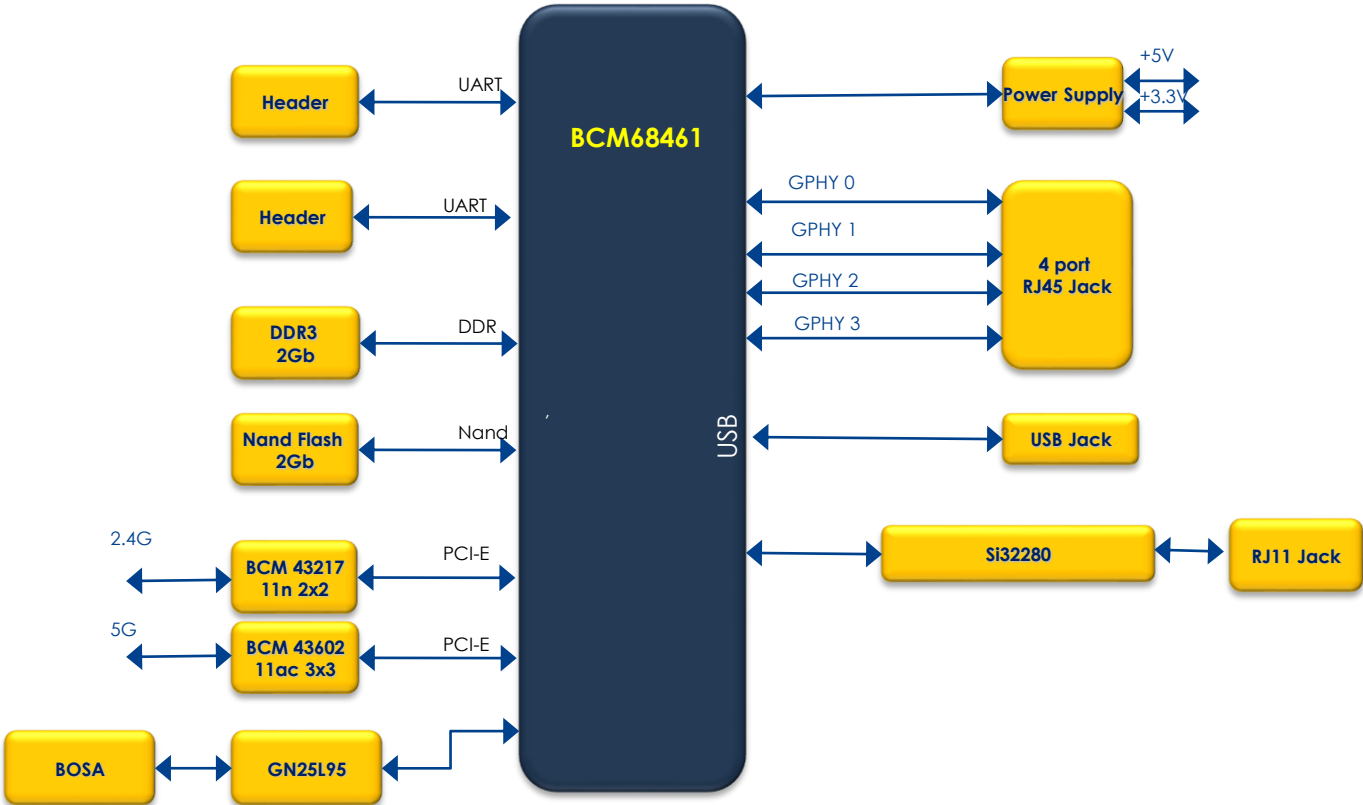
- Main chip BCM68461, 2.4G WiFi BCM43217 2x2, 5G WiFi BCM43602 3x3.
- 128MB Flash. 256MB DDR
- RJ-45 X 4 for LAN, (10/100/1000 Base T)
- RJ-11 X 2 for FXS
- USB 2.0 host X 1
- WPS /Wi-Fi On/Off button X 2 (1 button per radio)
- Power switch X 1 & Reset Button X 1



KEY FEATURES

- BCM68461+ BCM43602 (11ac), BCM43217(11n) / Flash 1GBit/ DDR3 2GBit
- BCM 68361 Advanced dual-core ARM Cortex A7 CPU
- 2.5G PON HGU to improve the Wi-Fi performance vs. BCM 68380 (MIPS base)
- Cost-effective middle-end GPON IAD solution

GRG 4269u BLOCK DIAGRAM



GRG 4266u – 2.5GPON 2x2 11n + 4x4 11ac

2.5G GPON w RF INTERFACE

HW & Interfaces

- Main chip BCM68461, WiFi BCM43217 2x2 2.4Gn, WiFi BCM4366E 4x4 5Gac.
- 128MB Flash. 256MB DDR
- RJ-45 X 4 for LAN, (10/100/1000 Base T)
- RJ-11 X 2 for FXS
- USB 2.0 host X 1
- WPS /Wi-Fi On/Off button X 2 (1 button per radio)
- Power switch X 1 & Reset Button X 1

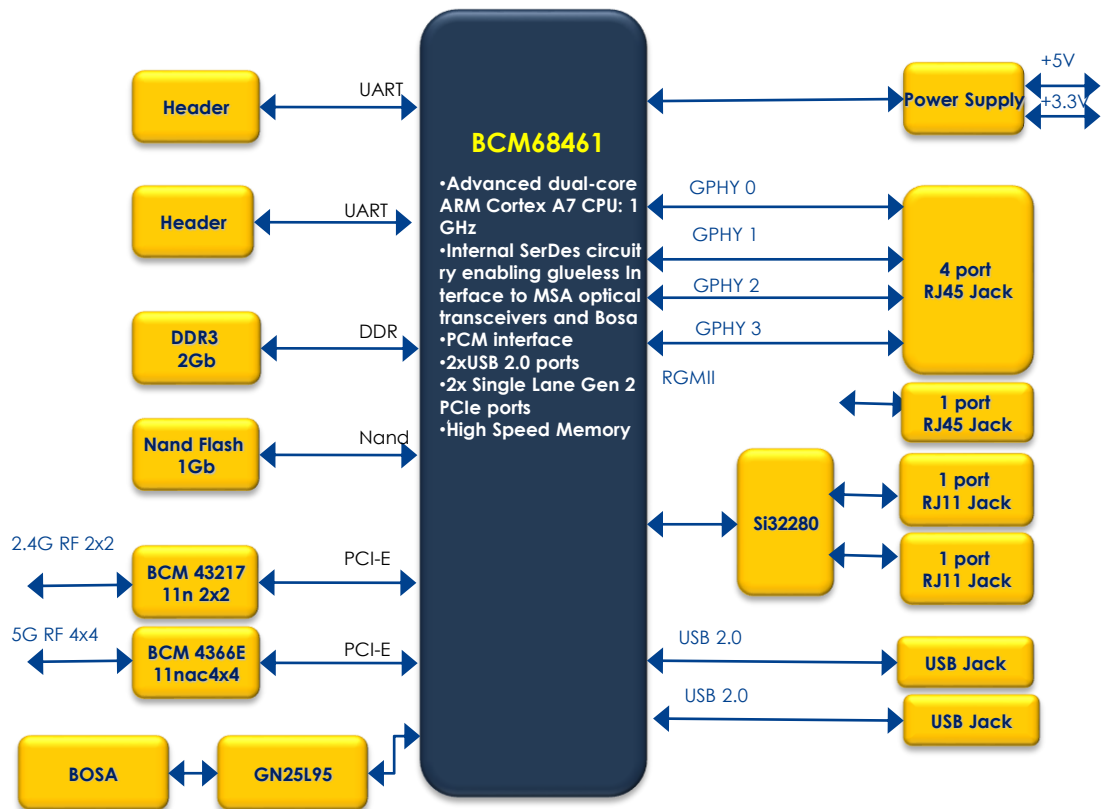
Note: Casing depending on customer ID

KEY FEATURES

- BCM68461+ BCM4360(11ac), BCM43217(11n) / Flash 1GBit/ DDR3 2GBit
- GRG-4266uf is considered to be a common platform to approach multiple customers



GRG 4266u BLOCK DIAGRAM



GRG 4266uf – 2.5GPON 2x2 11n + 4x4 11ac

2.5G GPON w RF INTERFACE

HW & Interfaces

- Main chip BCM68461, WiFi BCM43217 2x2 2.4Gn, WiFi BCM4366E 4x4 5Gac.
- 128MB Flash. 256MB DDR
- RJ-45 X 4 for LAN, (10/100/1000 Base T)
- RJ-11 X 2 for FXS
- USB 2.0 host X 1
- RF-Overlay X 1 for CATV
- WPS /Wi-Fi On/Off button X 2 (1 button per radio)
- Power switch X 1 & Reset Button X 1

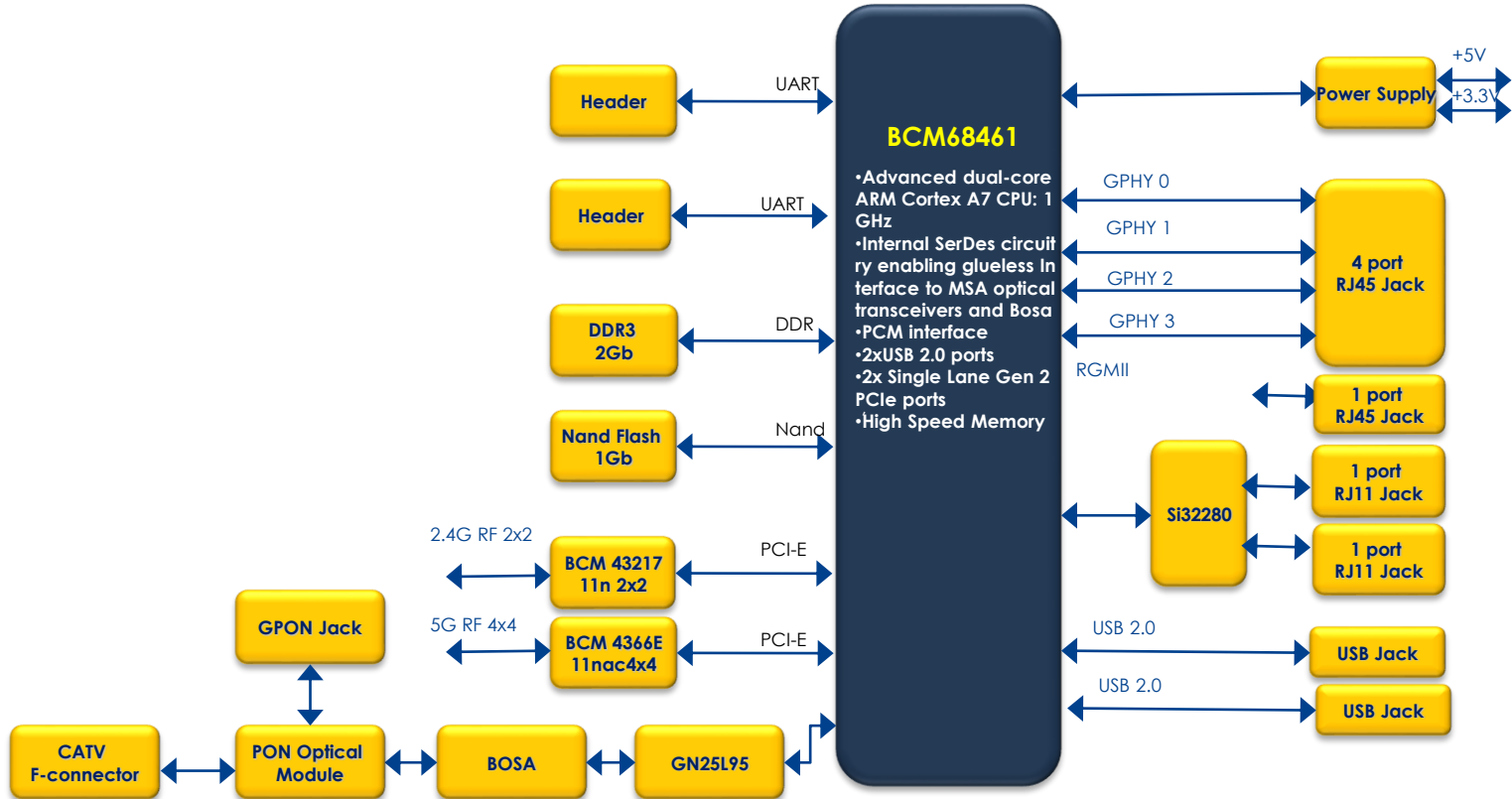
Note: Casing depending on customer ID

KEY FEATURES

- BCM68461+ BCM4360(11ac), BCM43217(11n)/ Flash 1GBit/ DDR3 2GBit
- GRG-4266uf is considered to be a common platform to approach multiple customers



GRG 4266uf BLOCK DIAGRAM



GRG 4268u – 2.5GPON 3x3 11n + 4 x 4 11ac IAD

2.5G GPON COMMON PLATFORM

HW & Interfaces

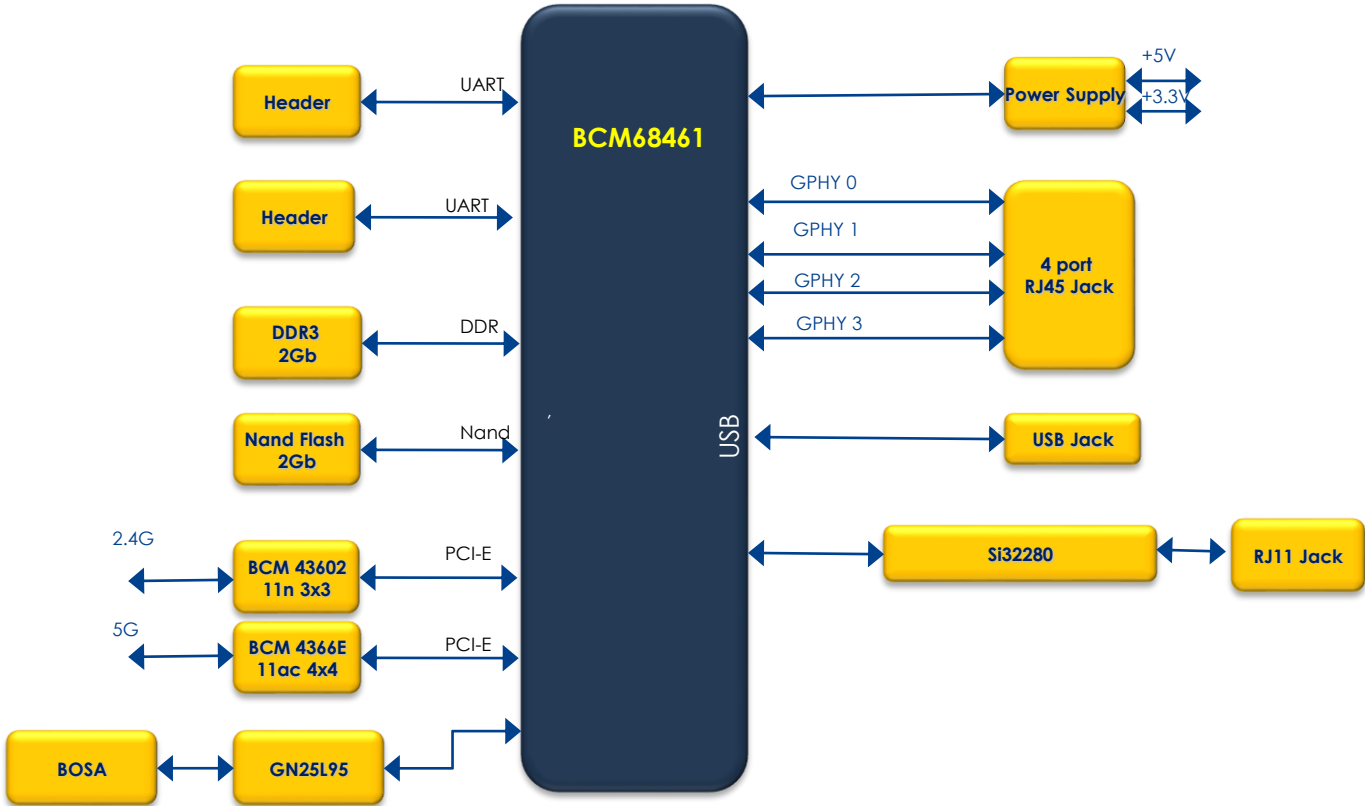
- Main chip BCM68461, WiFi BCM43602 3x3 2.4Gn, WiFi BCM4366E 4x4 5Gac.
- 256MB Flash. 512MB DDR
- RJ-45 X 4 for LAN, (10/100/1000 Base T)
- RJ-11 X 1 for FXS
- USB 2.0 host X 1
- WPS /Wi-Fi On/Off button X 2 (1 button per radio)
- Power switch X 1 & Reset Button X 1

KEY FEATURES

- BCM68461+ BCM43602(11ac), BCM43217(11n)
- BCM 68361 Advanced dual-core ARM Cortex A7 CPU
- 2.5G PON HGU to improve the Wi-Fi performance vs. BCM 68380 (MIPS base)
- GRG-4266uf is defined as a cost-effective middle-end GPON IAD solution



GRG 4268u BLOCK DIAGRAM



GRG 4101– 10G EPON XGS-PON ONU

10G GPON SFU

HARDWARE & INTERFACES

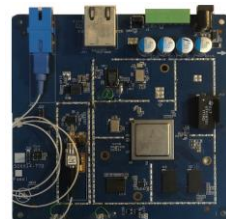
- BCM68580+AQ107
- eMMC NAND Flash 512MByte
- DDR3 RAM 512MByte
- 1x 10G EPON
- 1 x 10GE LAN

KEY FEATURES

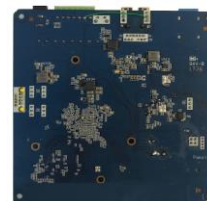
- 10GEPON Bosa on Board design based on Mentech and Aquantia10Gphy
- 8.3 Gbps throughput test on 10GEPON 72 hours aging test without packet lost
- TR-069 built-in for remote provisioning



* Housing Size : XXX mm x XXX mm x XX mm (Foot : 10mm)

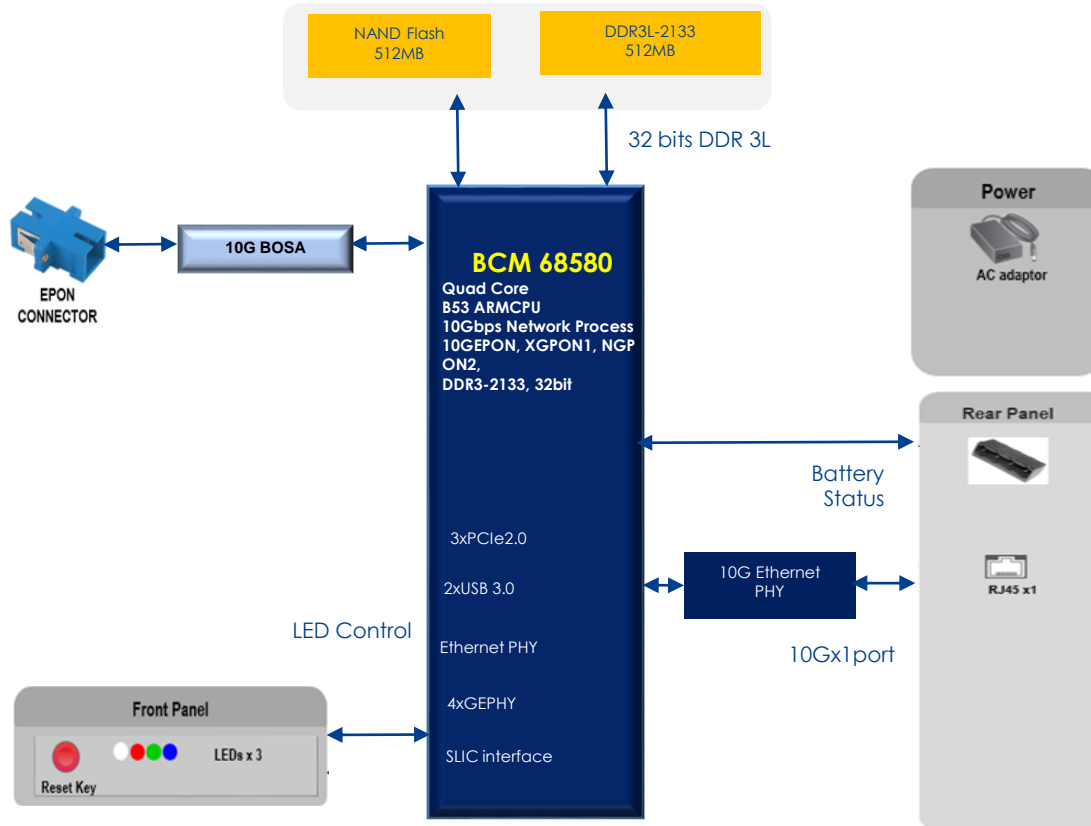


PCBA Front



PCBA Rear

GRG 4101 BLOCK DIAGRAM





COMTREN

THANK YOU FOR
YOUR TIME